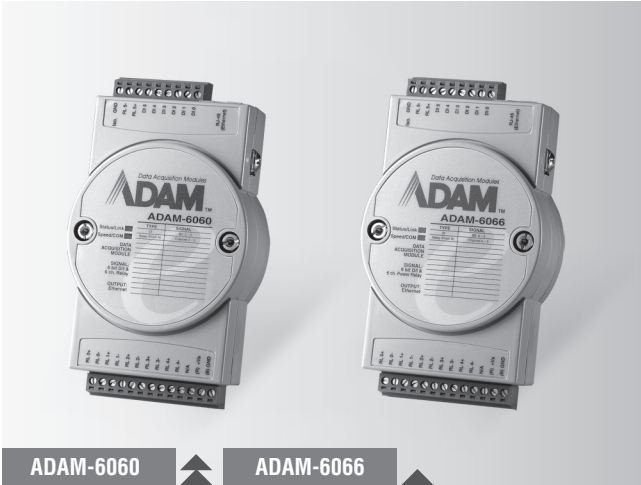


ADAM-6060

ADAM-6066

6-ch Digital Input and 6-ch Relay Modbus TCP Module

6-ch Digital Input and 6-ch Power Relay Modbus TCP Module



ADAM-6060

ADAM-6066



Specifications

General

- **LAN** 10/100Base-T(X)
- **Power Consumption** 2 W @ 24 V_{DC} (ADAM-6060)
2.5 W @ 24 V_{DC} (ADAM-6066)
- **Connectors** 1 x RJ-45 (LAN), Plug-in screw terminal block (I/O and power)
- **Watchdog Timer** System (1.6 second) and Communication (programmable)
- **Power Input** 10 ~ 30 V_{DC}
- **Supports Peer-to-Peer**
- **Supports GCL**
- **Supports Modbus/TCP, TCP/IP, UDP, DHCP, SNMP, HTTP and MQTT Protocol**

Digital Input

- **Channels** 6
- **Dry Contact** Logic level 0: close to GND
Logic level 1: open
- **Wet Contact** Logic level 0: 3 V_{DC}
Logic level 1: 10 ~ 30 V_{DC}
- **Supports 3 kHz Counter Input (32-bit + 1-bit overflow)**
- **Keep/Discard Counter Value when Power-off**
- **Supports 3 kHz Frequency Input**
- **Supports Inverted DI Status**

Relay Output (Form A)

- **Channels** 6
- **Contact Rating (Resistive)** ADAM-6060: 120 V_{AC} @ 0.5 A
30 V_{DC} @ 1 A
ADAM-6066: 250 V_{AC} @ 5 A
30 V_{DC} @ 3 A
- **Breakdown Voltage** 500 V_{AC} (50/60 Hz)
- **Relay On Time** 7 ms
- **Relay Off Time** 3 ms
- **Total Switching Time** 10 ms
- **Insulation Resistance** 1 GΩ min. at 500 V_{DC}
- **Maximum Switching Rate (at rated load)** 20 operations/minute
- **Supports Pulse Output**

Protection

- **Isolation Voltage** 2,000 V_{DC}
- **Power Reversal Protection**

Environment

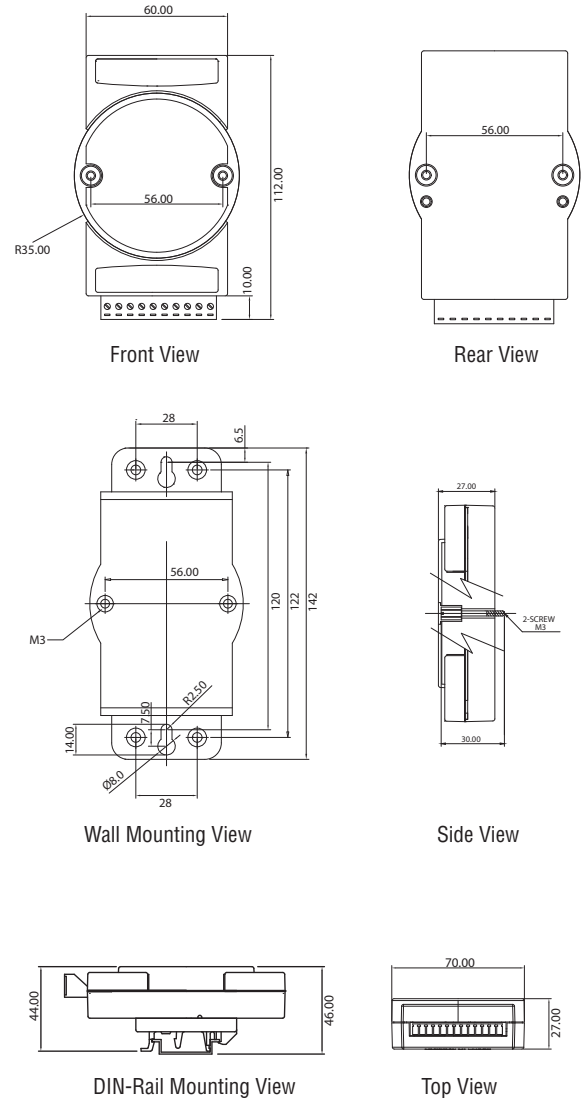
- **Operating Temperature** -10 ~ 70°C (14 ~ 158°F)
-40 ~ 70°C (-40 ~ 158°F) for D version
- **Storage Temperature** -20 ~ 80°C (-4 ~ 176°F)
-40 ~ 80°C (-40 ~ 176°F) for D version
- **Operating Humidity** 20 ~ 95% RH (non-condensing)
- **Storage Humidity** 0 ~ 95% RH (non-condensing)

Ordering Information

- **ADAM-6060** 6-ch DI and 6-ch Relay Modbus TCP Module
- **ADAM-6066** 6-ch DI and 6-ch Power Relay Modbus TCP Module

ADAM-6000 Series Dimensions

Unit: mm



ADAM-6000 Series Common Specifications

General

- **Dimensions (W x H x D)** 70 x 120 x 30 mm
- **Enclosure** ABS+PC
- **Mounting** DIN 35 rail, stack, wall