

# PPC-IPS-AE

## 12~30 V<sub>DC</sub> input/24 V<sub>DC</sub> output, Uninterruptible Power Supply Module



### Features

- 50W (2.1A @ 24V) output, 25.2Wh with auto shut down function to PC
- With changeable battery pack for easy maintenance
- Wide Range power input for 12~30 V<sub>DC</sub>
- Supports over discharging protection to extend battery life
- Metal enclosure supports VESA 75/ VESA 100 and DIN Rail mounting
- With status indicators for monitoring battery pack and input power
- With accessible switch for adjusting timing (30sec / 6 min), to execute auto shut down PC
- With free software utility for configuration and monitoring

### Introduction

The lightweight and intelligent power management module, protect Panel PC from electrical damage and greatly reduce the risk of losing data. The IPS module serves as temporary power during a short break in power and allows a safe system shutdown. It can be easily to install on din rail or on the back of Panel PC.

### Specifications

<b>Input</b>	Input Voltage	12~30 V
	Input power rating	90 W
	Charging current	2 A
<b>Output</b>	Output Voltage	24V +/-10%
	Max. output current	2.5 A
<b>Battery</b>	Battery Capacity	14.4 V <sub>DC</sub> , 1750 mAH
	Cycle life	300 times of charge circle (Above 60% capacity compared to the initial state)
<b>Protection</b>	Short-circuit protection	Yes
	Over discharge protection	IPS shuts down when 5% of battery capacity (Default)
<b>Certification</b>	EMC	CE, FCC, CCC, BSMI
	Safety	UL, CB, CCC, BSMI
<b>Dimensions</b>		151.8 x 125 x 37.2 mm (5.98" x 4.92" x 1.46")
<b>Environment</b>	Operating Temperature	0~50°C (Din rail mounting) 0~45°C (VESA mounting, secured with PPC)
	Storage Temperature	-20~50°C
	Relative Humidity	10 ~ 95% @ 40°C (non-condensing)
	Shock Operating	10 G peak acceleration (11 ms duration), follow IEC 60068-2-27
	Vibration	Operating Random Vibration Test 5~500Hz, 1Grms, follow IEC 60068-2-64
<b>I/O Connectors</b>		PS_ON to shut down PC RS-232 for monitoring and setting IPS

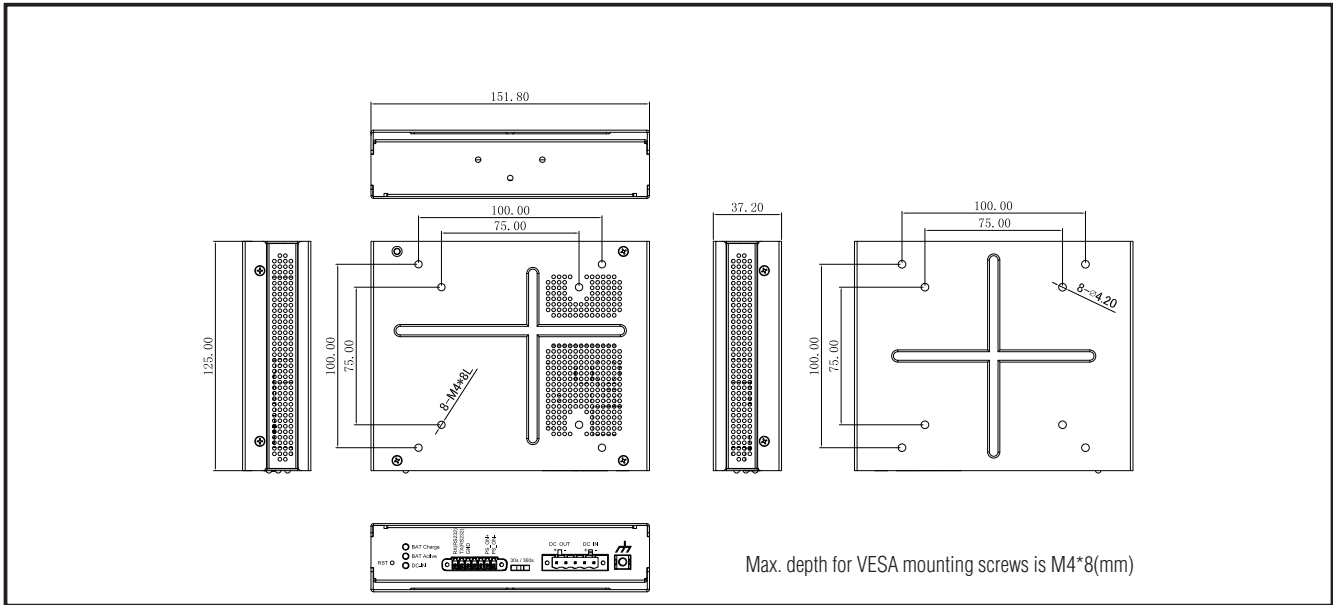
### VESA Mount



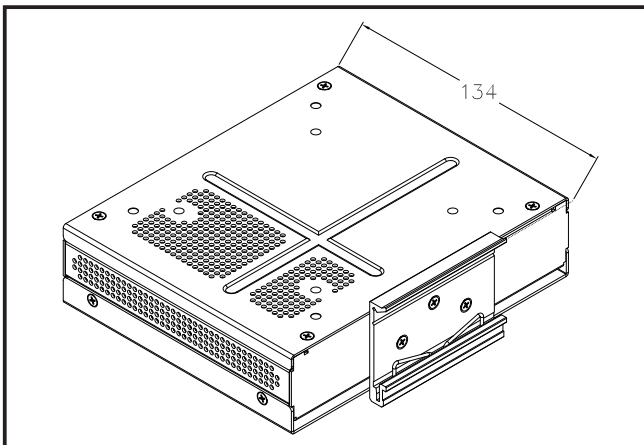
### Din-rail Mount



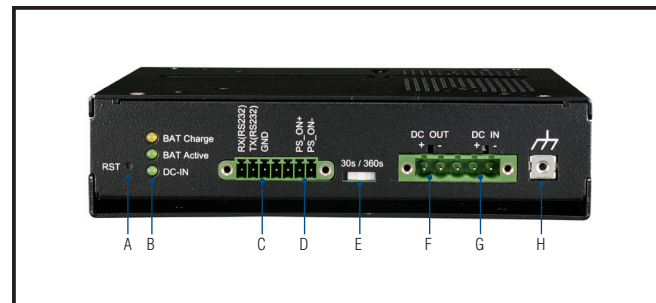
## PPC-IPS-AE



### Din-rail Dimensions



### I/O Appearance



- A. System reset
- B. Status indicators
- C. RS-232 (for connecting a PC)
- D. PS\_ON (to shutdown PC)
- E. Time switch (for setting auto shutdown)
- F. DC out (2 pins)
- G. DC input (2 pins)
- H. Grounding

### Ordering Information

Part No.	Description
PPC-IPS-AE	12-30 V <sub>DC</sub> input/24 V <sub>DC</sub> output, Uninterruptible Power Supply Module
98R3612001E	PPC-IPS power cable 1 m
98R3612002E	PPC-IPS control cable 1 m
1760001866-01	PPC-IPS battery pack (spare part)

Note: The PPC-IPS-AE is equipped with a battery pack / 300 mm power cable / 300 mm control cable.

If a longer cable is needed, the customer can order the 1 meter 98R3612001E and 98R3612002E cables.

The PPC-IPS-AE only currently supports the PPC-3000 series, please contact Advantech first for operating with other PC systems.