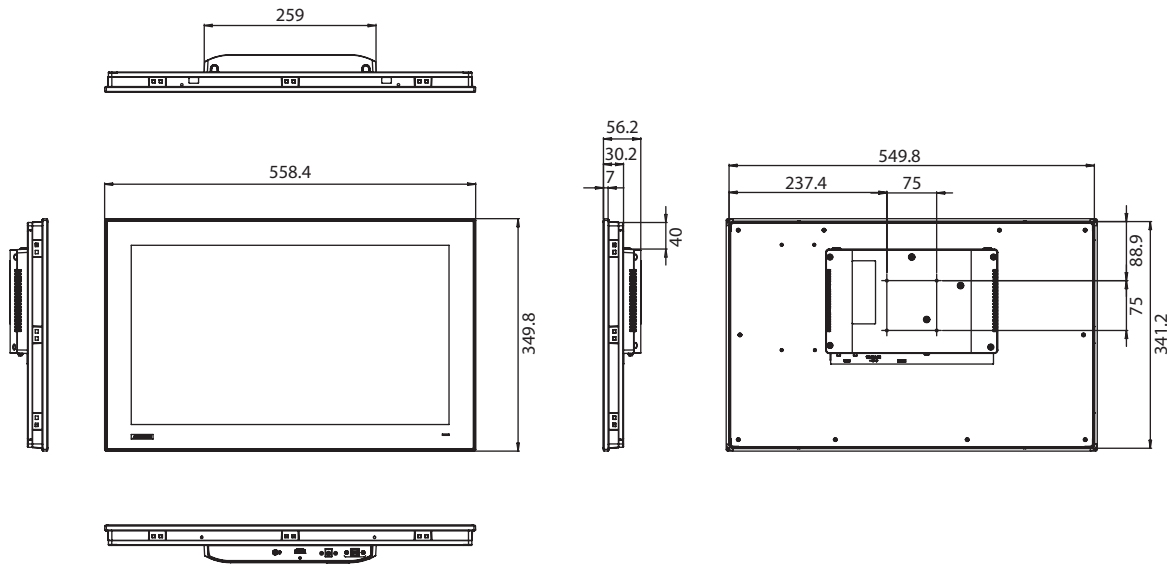


Dimensions

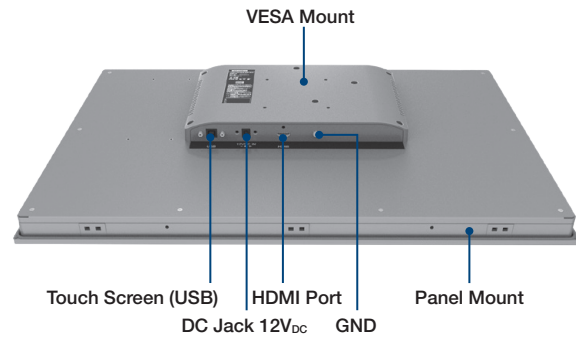
Unit: mm


Cut-out Dimensions: 550.30 x 341.8 mm (21.67 x 13.46 in)

Front View



Rear View



Packing list

| Item | Part No. | Description | Qty |
|------------------------|------------------|---|-----|
| Adapter | 96PSA-A60W12V1-4 | ADP A/D 100-240V 60W 12V C14 DC PLUG 180° | 1 |
| USB touch Cable | 1700017851-01 | M Cable USB-A 4P(M)/USB-B 4P(M) 169CM (BK) | 1 |
| HDMI Cable | 1700026930-01 | M CABLE HDMI 19P(M)/HDMI 19P(M) 2M PCM-2901 | 1 |
| Clamper | 1960064704T000 | Clamper for PPC-3120 | 12 |
| Clamper screw | 1930005598 | Screw SP/S M6*21L D=9 H=2+ ST BZn | 12 |
| Cable lock for adapter | 1960098895N001 | Plug bracket(UNO silver) for FPM-200 series | 1 |
| Cable lock for adapter | 1930001074 | Screw M3x5L R/S D=5.5 H=2 (2+) ST Ni NK | 2 |
| Cable lock for HDMI | 1990022422S000 | Fixed rail 71.3Lx6.2W mm YJC-64C for UBC-DS31 | 1 |
| Cable lock for HDMI | 1990022423S000 | Fixed ring DIA:7.5-8.5 FWM-8K for UBC-DS31 | 1 |