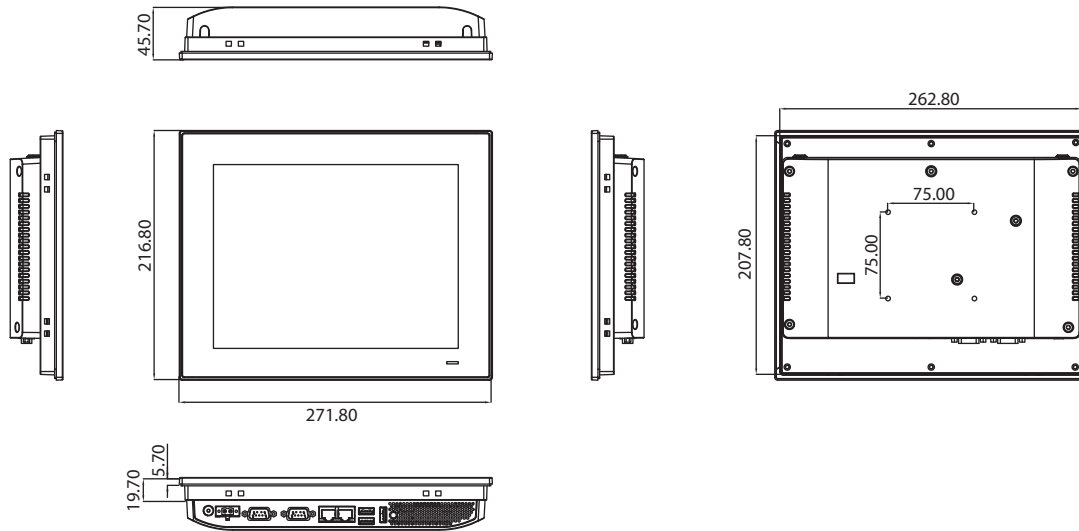


Dimensions

Unit: mm

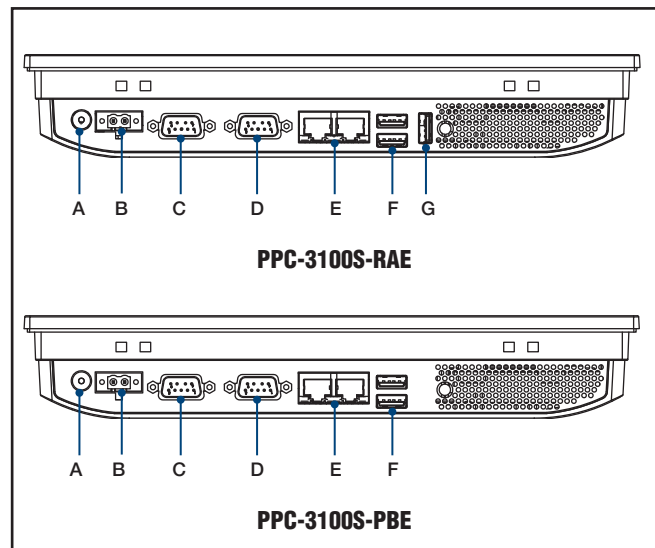


Panel Cutout Dimensions: 265 x 210 mm (10.43 x 8.26 in)

Ordering Information

Part Number	Description
PPC-3100S-RAE	Intel Celeron N2930 Fanless Panel PC with 10.4" SVGA LED backlight, Resistive 5 wire touch screen
PPC-3100S-PBE	Intel Celeron N2930 Fanless Panel PC with 10.4" XGA LED backlight, Projected Capacitive Multi-touch screen
PPC-3100S-HDDE	Bracket module for 2.5" SSD/HDD installation
96PSA-A90W190T-1	ADP A/D 100-240V 90W 19V W/PFC
PPC-WLAN-B1E	Wi-Fi Module with Antenna Cable 40cm for PPC
PPC-ARM-A03	ARM VESA Standard (A-CLEVER) for PPC series
PPC-174T-WL-MTE	Wall mount kit for PPC series
PPC-Stand-A1E	Stand for PPC series
1700001524	Power cord 3P UL 10A 125V 1.8M
170203183C	Power cord 3P Europe (WS-010+083) 183cm
1700008921	Power cord 3P/3P 1.8M PSE
96CB-POWER-B-1.8M	Power code 3P CCC(China) 1.8M

I/O View



- A. Power Switch
- B. DC-In
- C. RS-232
- D. RS-232/422/485
- E. 2 x RJ45 LAN
- F. 1 x USB 2.0, 1 x USB 3.0
- G. USB 2.0