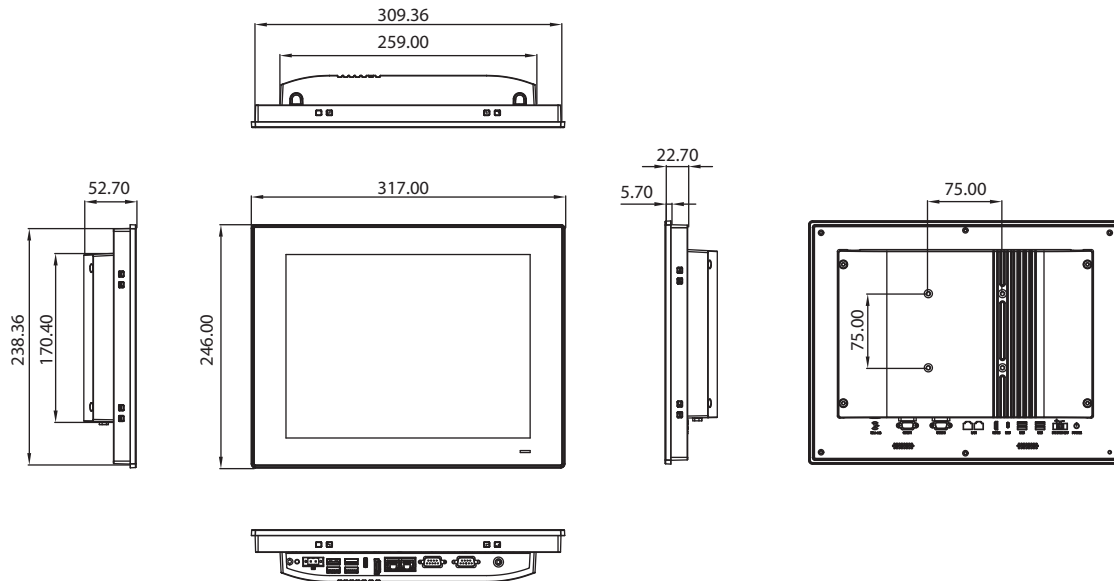




## Dimensions

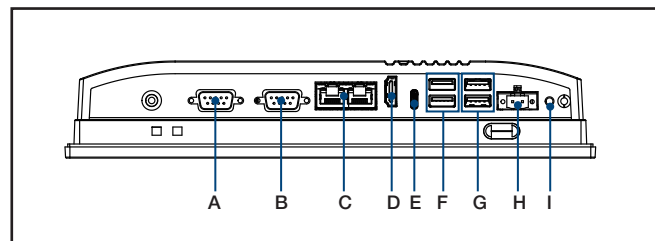
Unit: mm


**Panel Cutout Dimensions: 311 x 240 mm (12.24 x 9.44 in)**

## Ordering Information

Part Number	Description
PPC-312-RJ60A	12" PPC w/Intel J6412, Resistive
PPC-312-PJ60A	12" PPC w/Intel J6412, P-Cap
98R3P300020	PPC-300 EHL 2.5" SSD bracket module
96PSA-A90W190T-3	Power adapter 100-240V 90W 19V
PPC-WLAN-D2	M.2, WiFi6 +BT5.2, 2T2R, w/Antenna
PPC-ARM-A03	ARM VESA Standard (A-CLEVER) for PPC series
PPC-174T-WL-MTE	Wall mount kit for PPC series
PPC-Stand-A1E	Stand for PPC series
1700001524	Power cord 3P UL 10A 125V 1.8M
170203183C	Power cord 3P Europe (WS-010+083) 183cm
1700008921	Power cord 3P/3P 1.8M PSE
96CB-POWER-B-1.8MB	Power cord 3P CCC(China) 1.8M
98R3P300010	PPC-300 RFID Read only 13.56MHz&125k

## I/O View



- |                          |                 |
|--------------------------|-----------------|
| A. 1 x RS-232            | F. 2 x USB 3.1  |
| B. 1 x RS-232/422/485    | G. 2 x USB 2.0  |
| C. 2 x LAN               | H. DC-In        |
| D. 1 x HDMI              | I. Power Switch |
| E. 1 x Type C (USB only) |                 |

Please note: If some optional modules are offered with the system, additional system certificates may be required in certain regions/countries. Please contact Advantech for certificate compliance.