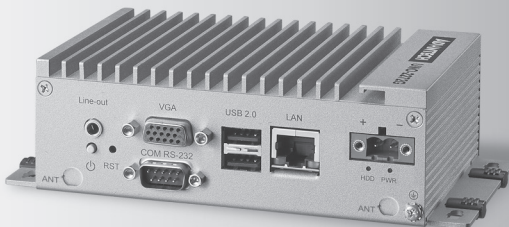


UNO-2272G

Intel® Atom™/Celeron® Palm-Size Automation Computer with 1 x GbE, 2 x mPCIe, VGA/HDMI

NEW



Features

- Intel® Atom™ N2800/J1900 Processors with 2GB DDR3/DDR3L Memory
- 1 x GbE, 3 x USB 2.0/3.0, 1 x COM, 1 x VGA or HDMI, Audio
- Compact with Fanless Design
- Rubber Stopper Design with Captive Screw
- Diverse system I/O and Isolated Digital I/O by iDoor Technology
- Supports Fieldbus Protocol by iDoor Technology
- 3G/GPS/GPRS/Wi-Fi Communication by iDoor Technology
- Supports MRAM by iDoor Technology

Introduction

Advantech's UNO-2000 series of Embedded Automation Computers are fanless, with a highly ruggedized embedded operating system (Linux-Embedded). The series also includes iDoor technology which supports automation feature extensions such as industry fieldbus communication, Wi-Fi/3G, Digital I/O, including palm, small, and regular-size form-factors with indicated market segments in terms of entry, value, and performance product positioning. Both entry and value Embedded Automation Computers feature specific functions and they are suitable for data gateway, concentrator and data server applications. The performance model can shorten your development time and offer multiple networking interfaces to fulfill a diverse range of requirements.

Specifications

General

- **Certification** CE, FCC, UL, CCC, BSMI
- **Dimensions (W x D x H)** 157 x 88 x 50 mm (6.2" x 3.5" x 2.0")
- **Form Factor** Palm Size
- **Enclosure** Aluminum Housing
- **Mounting** Stand, Wall, VESA (Optional), DIN-rail (Optional)
- **Weight (Net)** 0.8 kg (1.76 lbs)
- **Power Requirement** 24V_{DC} ± 20%
- **Power Consumption** 14W (Typical), 45.3W (Max)
- **OS Support** UNO-2272G-N2AE: Microsoft® Windows 7, Advantech Linux
UNO-2272G-J2AE: Microsoft® Windows 7, Windows 10, Advantech Linux

System Hardware

- **BIOS** AMI EFI64 Mbit
- **Watchdog Timer** Programmable 256 levels timer interval, from 1 to 255 sec
- **Processor** Intel Atom Dual Core N2800 1.86 GHz
Intel Celeron Quad Core J1900 2.0 GHz
- **System Chip** Intel Atom SoC integrated
- **Memory** Built-in 2GB DDR3 1066 MHz for UNO-2272G-N2AE
Built-in 2GB DDR3L 1333 MHz for UNO-2272G-J2AE, up to 8GB
- **Graphics Engine** Intel® HD Graphics
- **Ethernet** Intel 82583V GbE, 802.10av, IEEE1588/802.1AS, 803.3az for UNO-2272G-N2AE
Intel i210 GbE, 802.10av, IEEE1588/802.1AS, 803.3az for UNO-2272G-J2AE
- **LED Indicators** LEDs for Power, HDD, LAN ((Active, Status)
- **Storage** 1 x half-size mSATA for UNO-2272G-J2AE
1 x full-size mSATA for UNO-2272G-N2AE
Supports HDD/SSD by project
- **Expansion** 1 x Full-size mPCIe slot, 1 x Half-size mPCIe slot for UNO-2272G-N2AE
2 x Full-size mPCIe slot for UNO-2272G-J2AE

I/O Interfaces

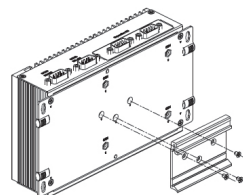
- **Serial Ports** 1 x RS-232, DB9, 50 – 115.2kbps for UNO-2272G-N2AE
1 x RS-232 (RS-422/485 by BIOS option), DB9, 50 – 115.2kbps for UNO-2272G-J2AE
- **LAN Ports** 1 x RJ45, 10/100/1000 Mbps IEEE 802.3u 1000Base-T Fast Ethernet
- **USB Ports** 3 x USB 2.0 for UNO-2272G-N2AE
2 x USB 2.0 and 1 x USB 3.0 for UNO-2272G-J2AE
- **Displays** 1 x VGA, supports 1920 x 1080 @ 60Hz 24bpp for UNO-2272G-N2AE
1 x HDMI, supports 1920 x 1080 @ 60Hz for UNO-2272G-J2AE
- **Audio** Line-Out
- **Power Connector** 1 x 2 Pins, Terminal Block

Environment

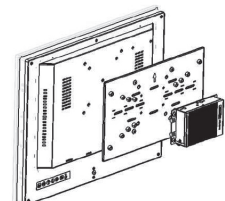
- **Operating Temperature** - 20 – 60°C (-4 – 140°F) @ 5 – 85% RH with 0.7 m/s airflow for UNO-2272G-N2AE
- 10 – 55°C (14 – 131) @ 5 – 85% RH with 0.7 m/s airflow for UNO-2272G-J2AE
- **Storage Temperature** - 40 – 85°C (-40 – 185°F)
- **Relative Humidity** 10 – 95% RH @ 40°C, non-condensing
- **Shock Protection** Operating, IEC 60068-2-27, 50G, half sine, 11 ms
- **Vibration Protection** Operating, IEC 60068-2-64, 2 Grms, random, 5 – 500 Hz, 1hr/axis (mSATA)
- **Ingress Protection** IP40

Installation Scenario

DIN-rail Mount Illustration

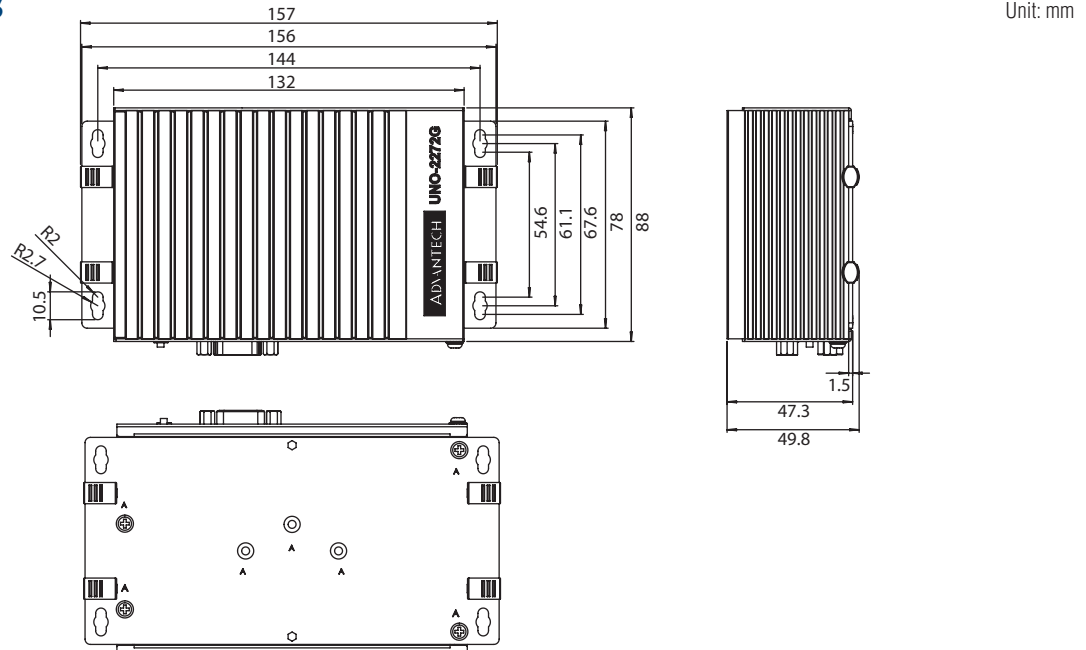


VESA Mount Illustration



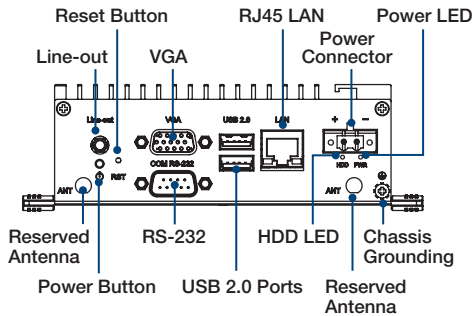
UNO-2272G

Dimensions

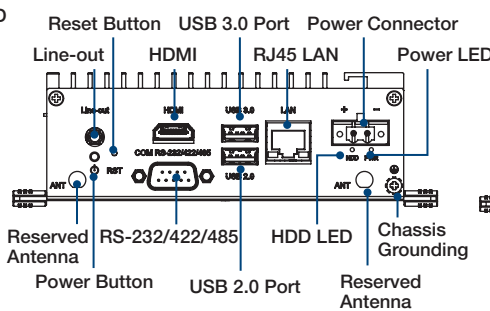


Front I/O View

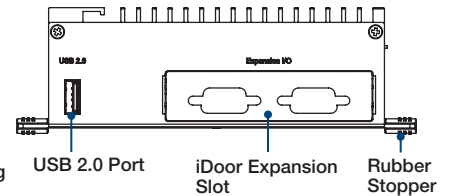
UNO-2272G-N2AE



UNO-2272G-J2AE



Rear I/O View



Ordering Information

- UNO-2272G-N2AE Intel Atom N2800 1.86GHz, 2GB, 1xLANs, 2xmPCIe
- UNO-2272G-J2AE Intel Celeron J1900 2.0GHz, 2GB, 1xLANs, 2xmPCIe

iDoor Modules

- PCM-23U1DG-BE Internal locked USB Slot for USB Dongle
- PCM-24R2GL-AE 2-Port Gigabit Ethernet, mPCIe, RJ45
- PCM-24D2R2-BE 2-Port Isolated RS-232 mPCIe, DB9
- PCM-24D4R2-BE 4-Port Non-Isolated RS-232 mPCIe, DB37
- PCM-24S2WF-BE WiFi 802.11 ac/a/b/g/n 2T2R w/Bluetooth 4.1
- PCM-24S33G-AE Wide-Temp 3.75G HSPA and GPS, Redundant SIM Card holder
- PCM-2300MR-AE MR4A16B, MRAM, 2 MByte, mPCIe
- PCM-27D24DI-AE 24-Channel Isolated Digital I/O w/ counter mPCIe, DB37

Optional Accessories

- 96PSA-A60W24T2 60WC to DC UNO series power adapter (Industrial Grade)
- 1702002600 Power Cable US Plug 1.8 M (Industrial Grade)
- 1702002605 Power Cable EU Plug 1.8 M (Industrial Grade)
- 1702031801 Power Cable UK Plug 1.8 M (Industrial Grade)
- 1700000596 Power Cable China/Australia Plug 1.8 M (Industrial Grade)
- UNO-2000G-DMKAE UNO-2000 DIN Rail Kit
- UNO-2000G-VMKAE UNO-2000 VESA Mount Kit

Embedded O/S

UNO-2272G-N2AE

- 2070013798 WEC7 MUI V4.00 B044 image
- 2070013098 WES7P X86 MUI. V4.12 B001 image

UNO-2272G-J2AE

- 20703WE7PS0000 WES7P x64MUI v4.18 B008 image
- 2070014984 WES7P X86 MUI V4.16 B004 image
- 2070014957 WIN10ENT 2016LTSB v6.01 B023 image
- 2070014939 WEC7 MUI V4.02 B088 image